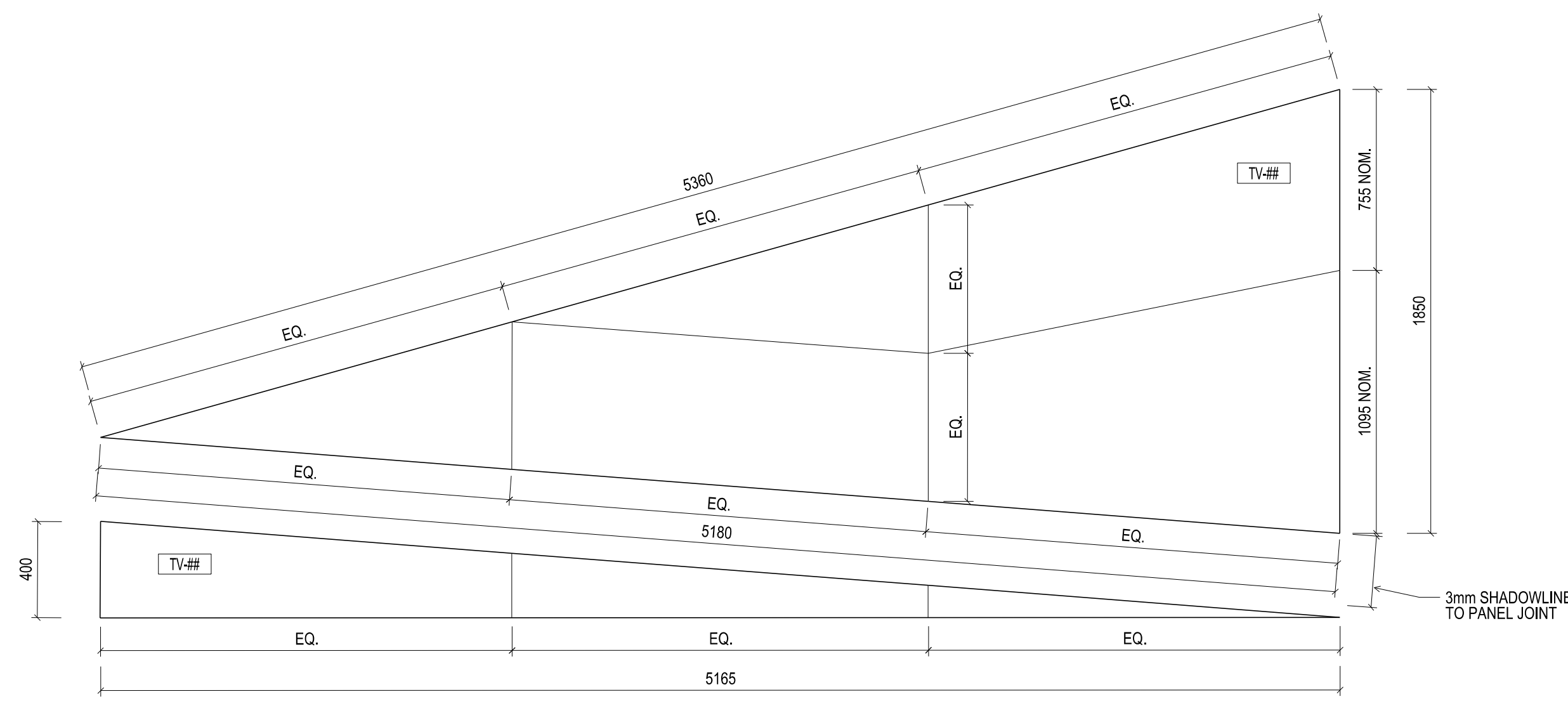


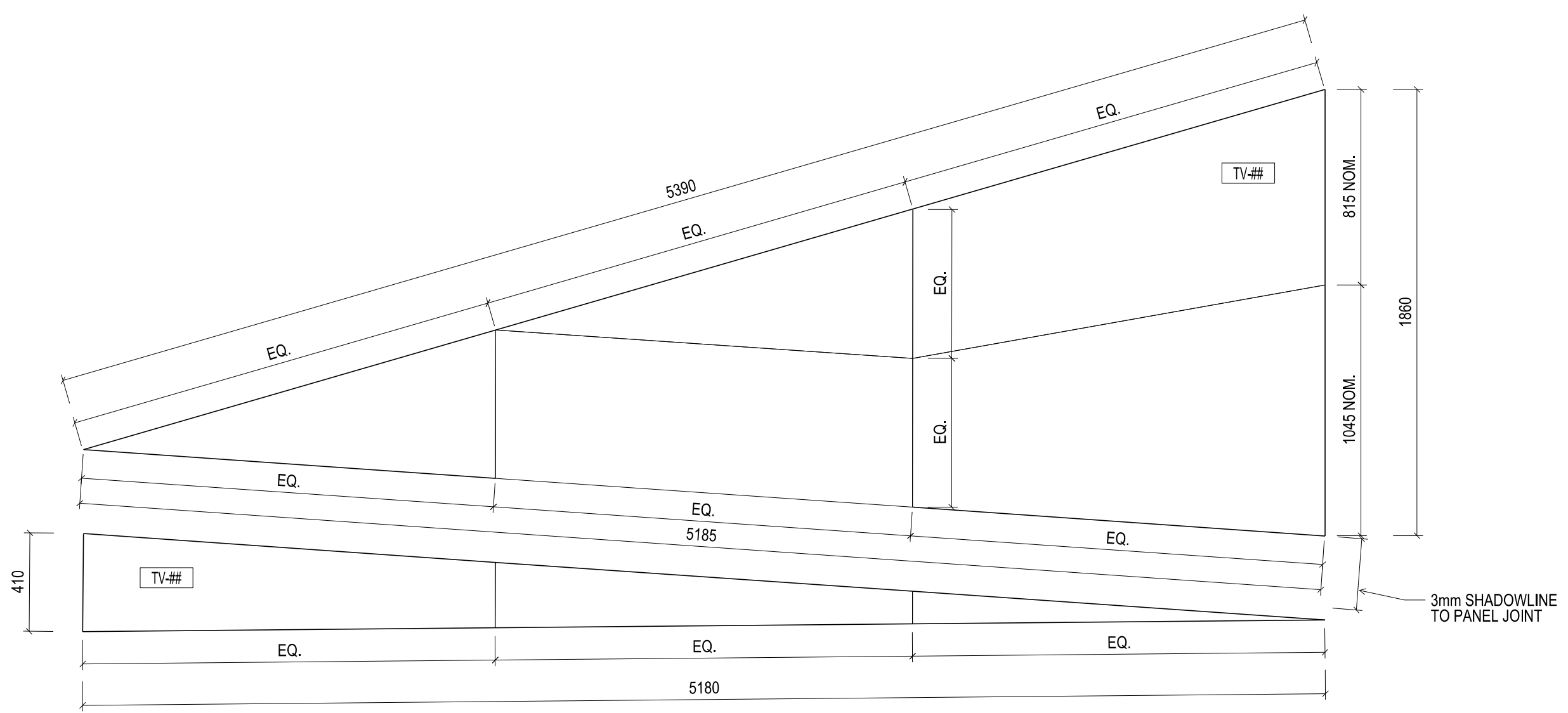
CONTRACTORS SHALL VERIFY JOB DIMENSIONS BEFORE ANY JOB COMMENCES. ALL SHOP DRAWINGS SHALL BE SUBMITTED TO THE SUPERINTENDENT AND MANUFACTURER SHALL NOT COMMENCE FROM THE RETURN OF DIMENSIONS SHOWN. BY THE CONTRACTOR. DIMENSIONS SHALL TAKE PRECEDENCE OVER SCALES. THIS DRAWING SHALL BE READ IN CONJUNCTION WITH ALL RELEVANT CONTRACT SPECIFICATIONS AND DRAWINGS COPYRIGHT OF THIS DRAWING IS VESTED IN WARDLE.

General Notes

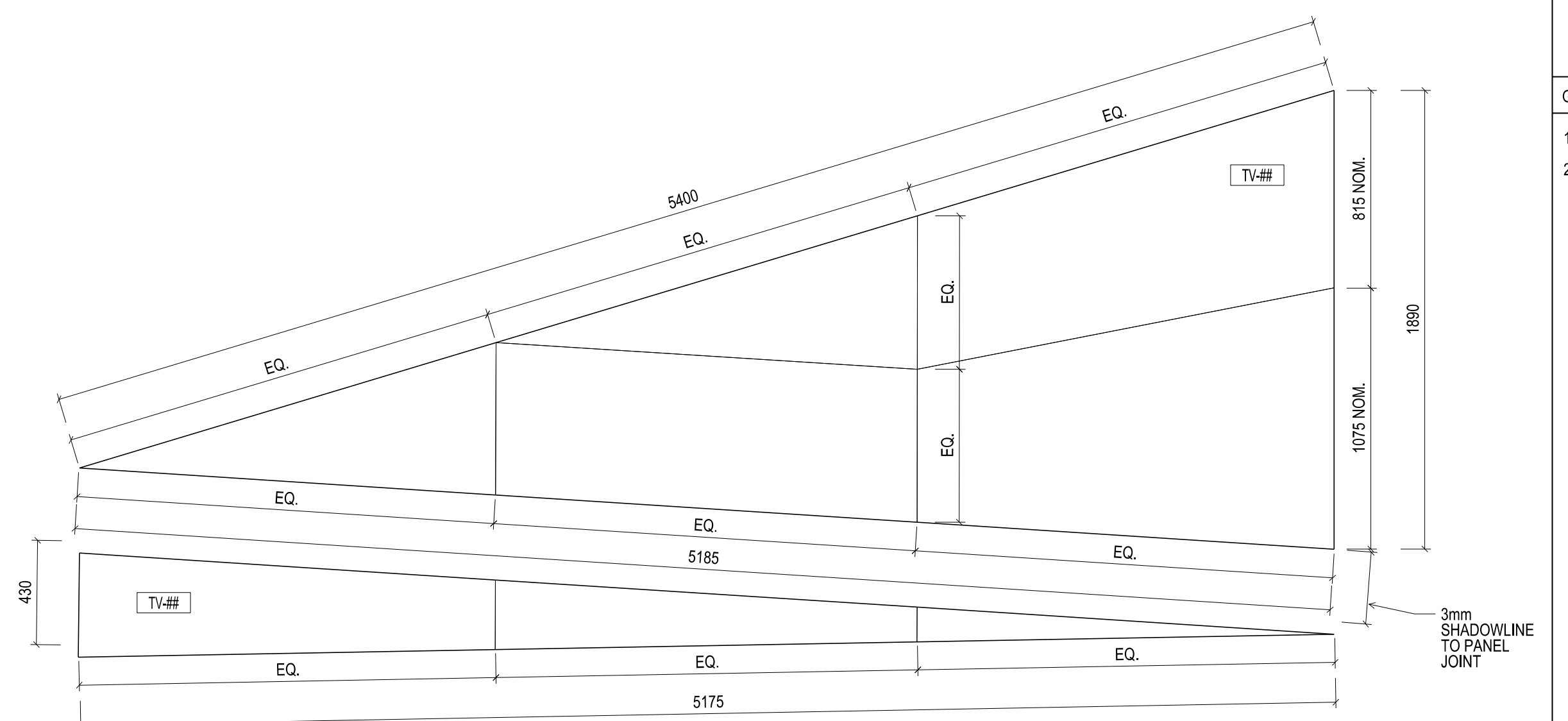
- 3mm SHADOWLINE TO ALL PANEL JOINTS UNLESS NOTED OTHERWISE
- ALL SETOUT DIMENSIONS TAKEN FROM CENTRELINE OF PANEL JUNCTION SHADOWLINE



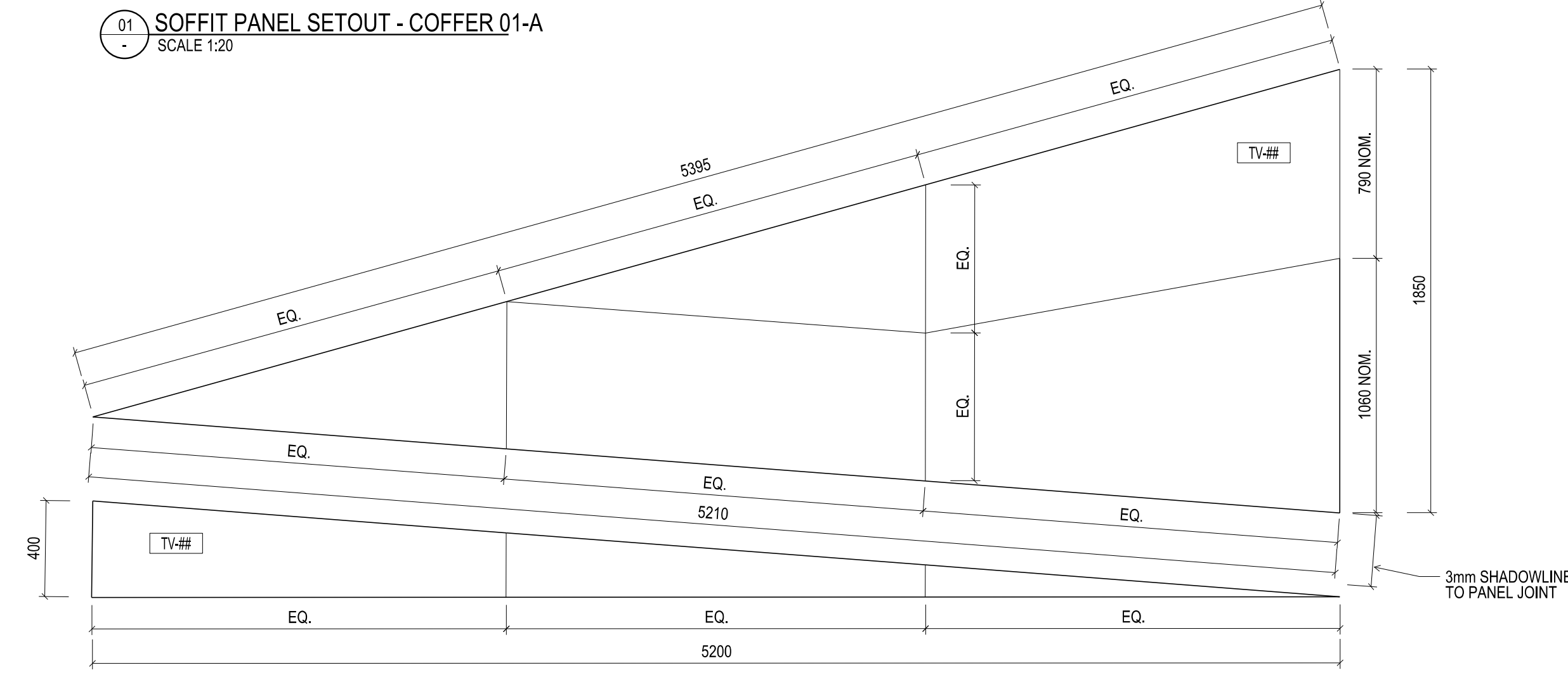
01 SOFFIT PANEL SETOUT - COFFER 01-A
SCALE 1:20



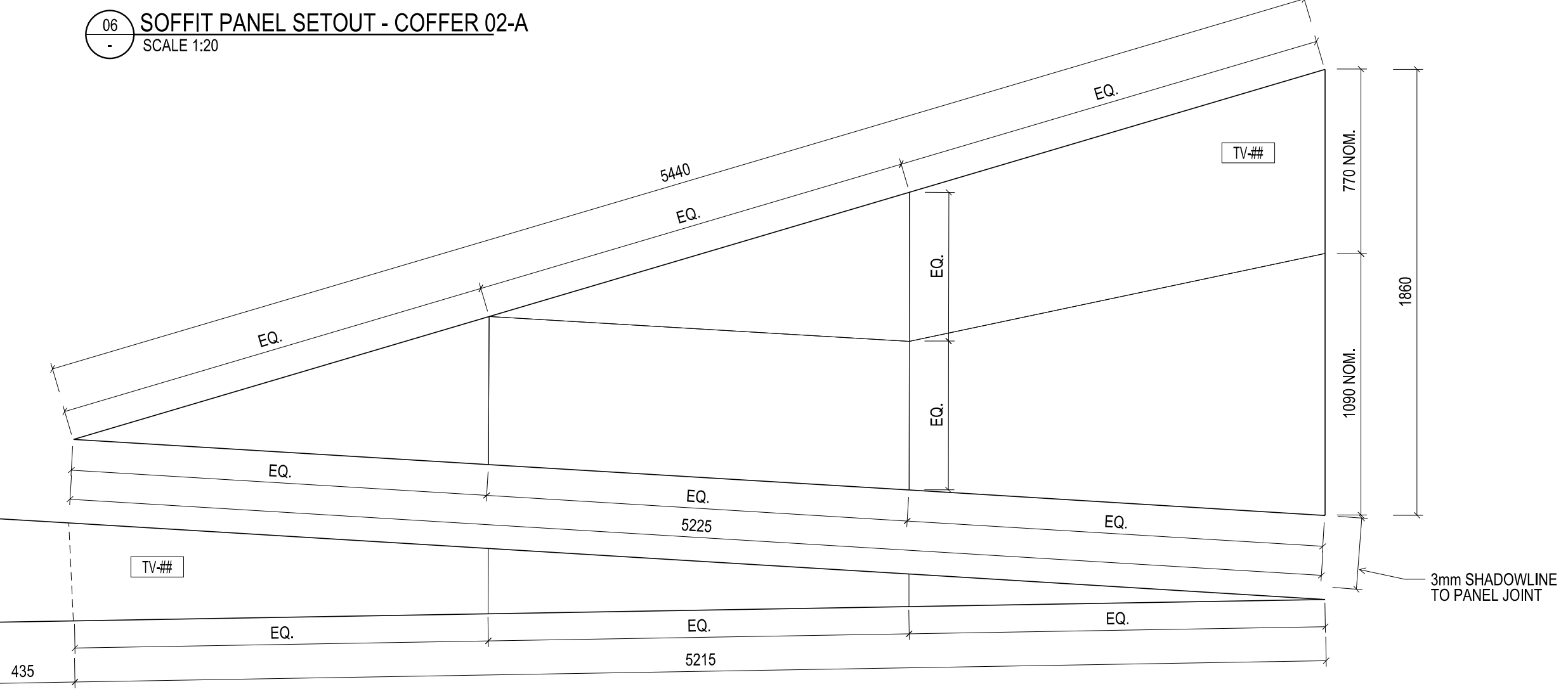
06 SOFFIT PANEL SETOUT - COFFER 02-A
SCALE 1:20



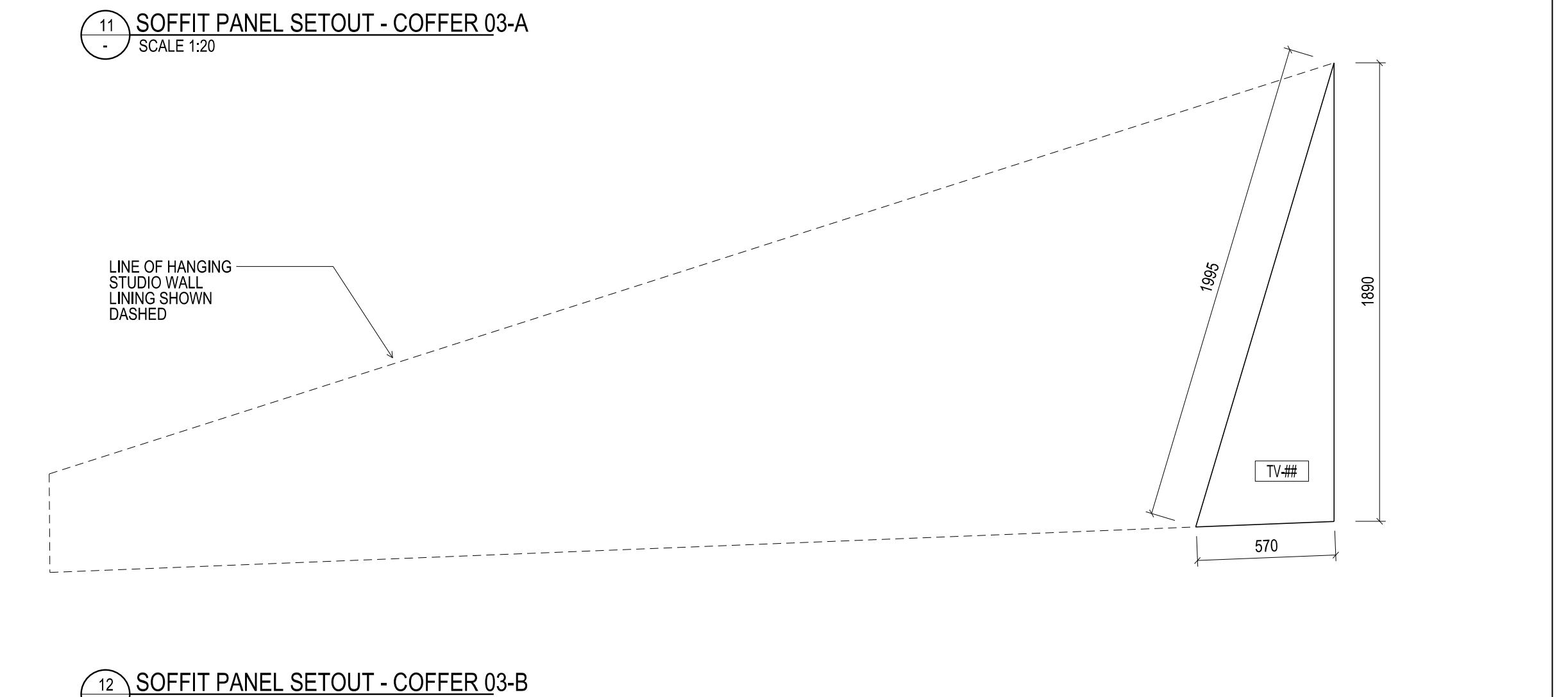
11 SOFFIT PANEL SETOUT - COFFER 03-A
SCALE 1:20



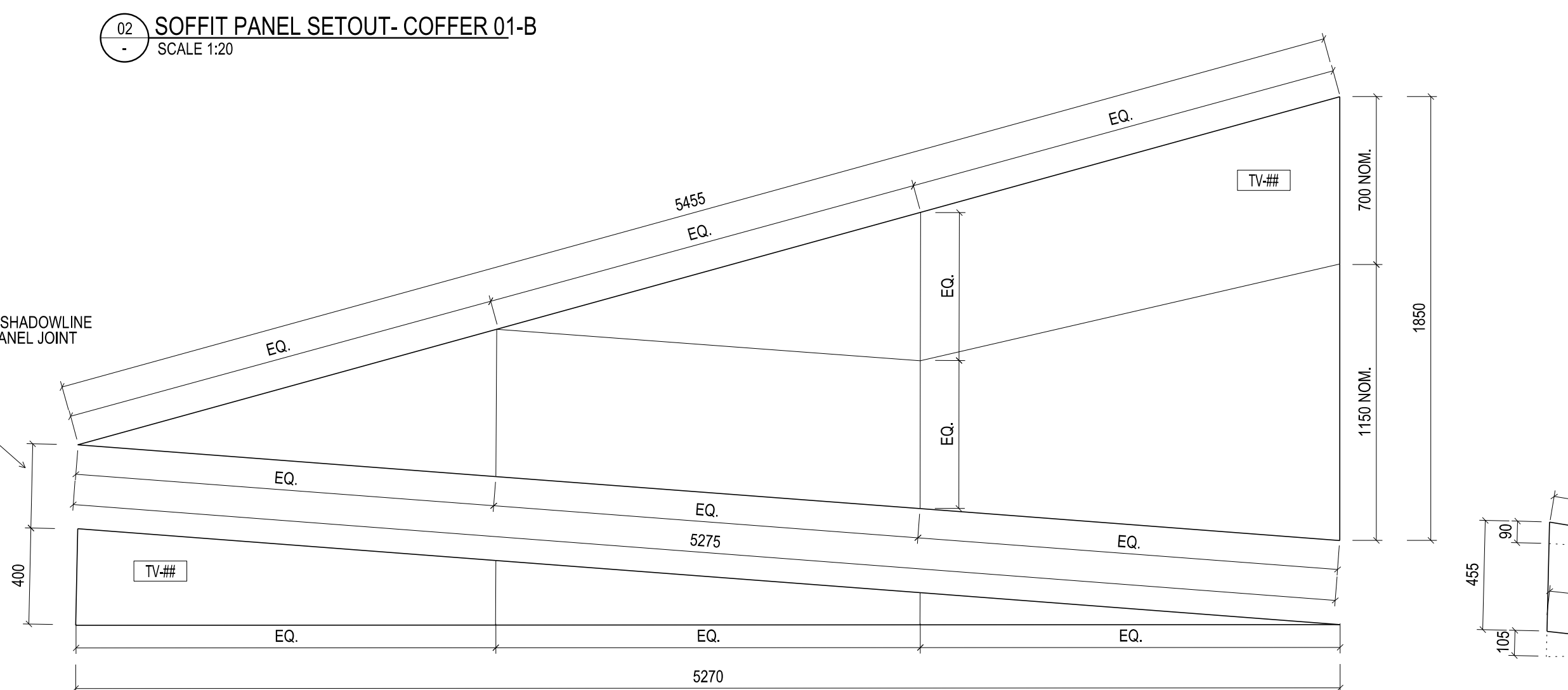
02 SOFFIT PANEL SETOUT - COFFER 01-B
SCALE 1:20



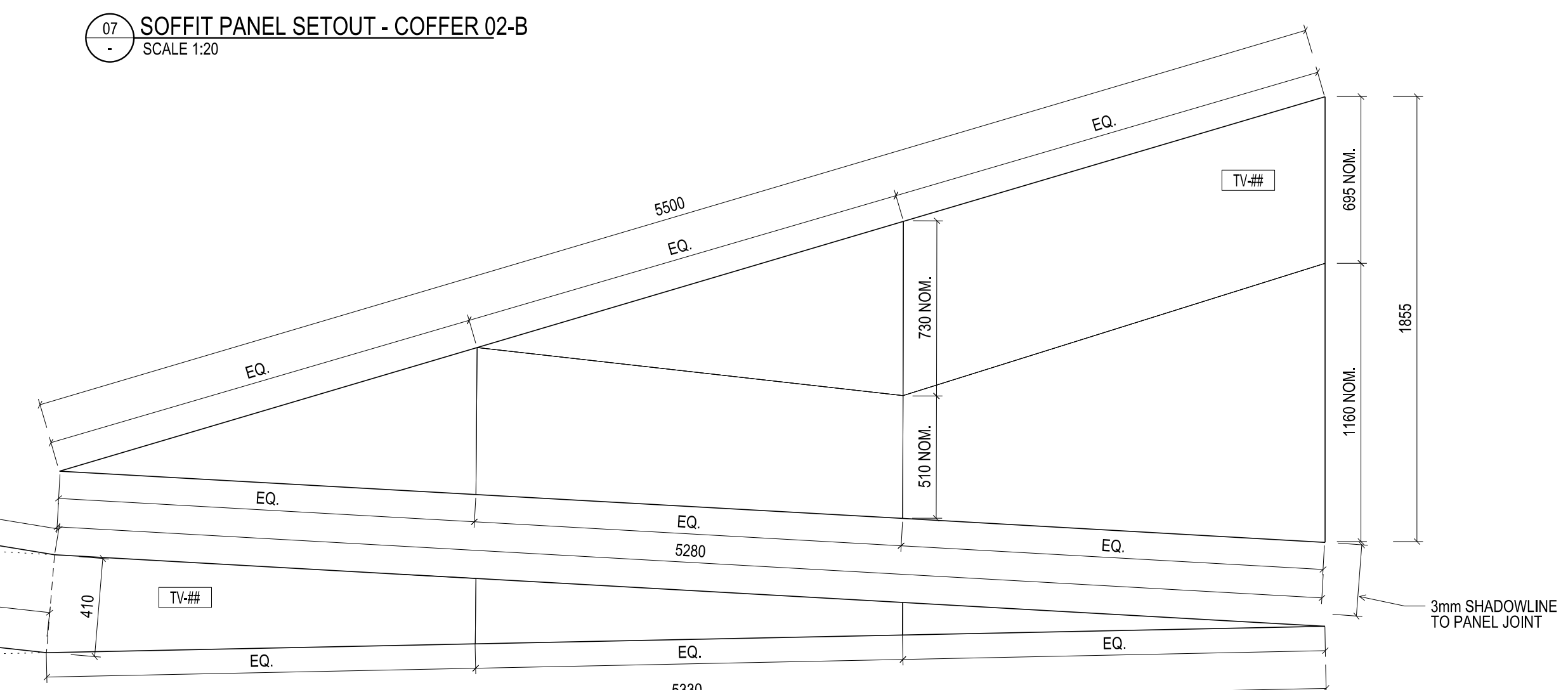
07 SOFFIT PANEL SETOUT - COFFER 02-B
SCALE 1:20



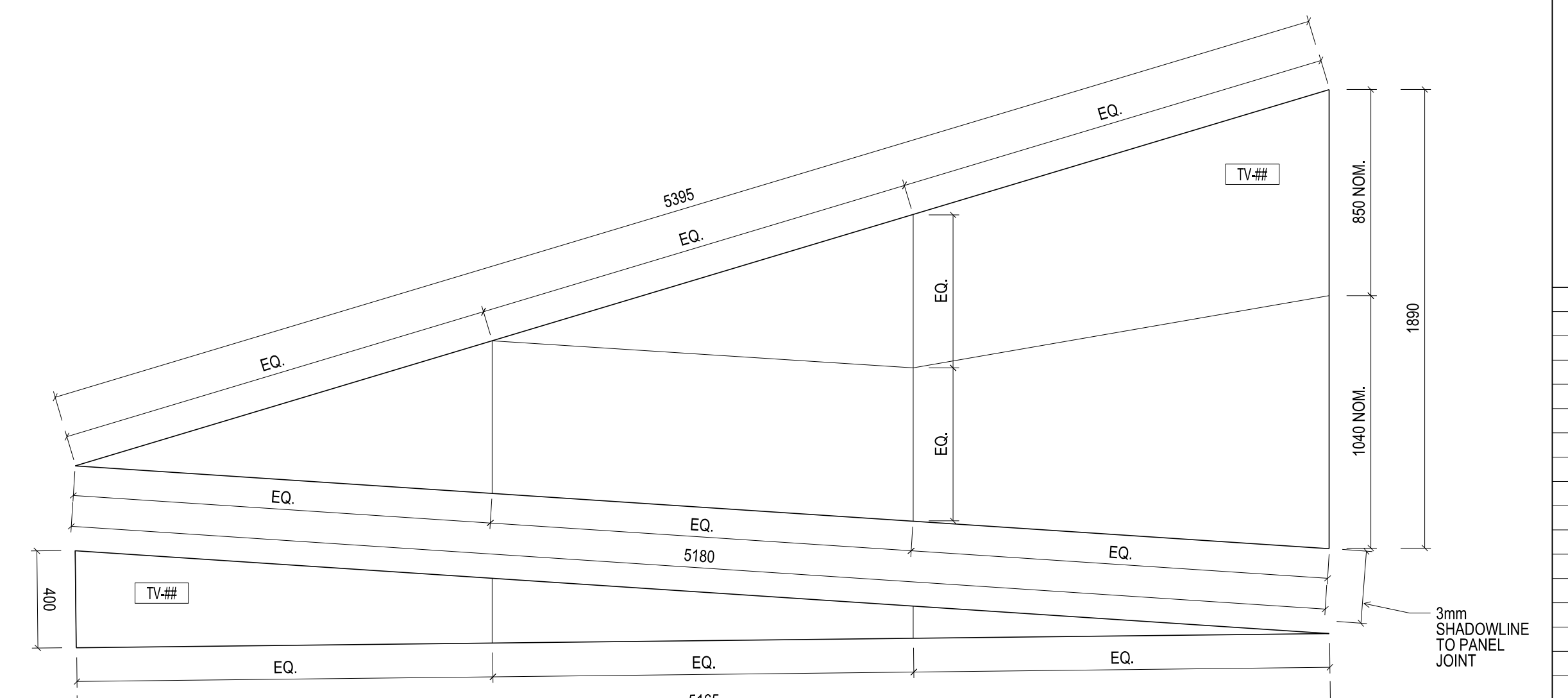
12 SOFFIT PANEL SETOUT - COFFER 03-B
SCALE 1:20



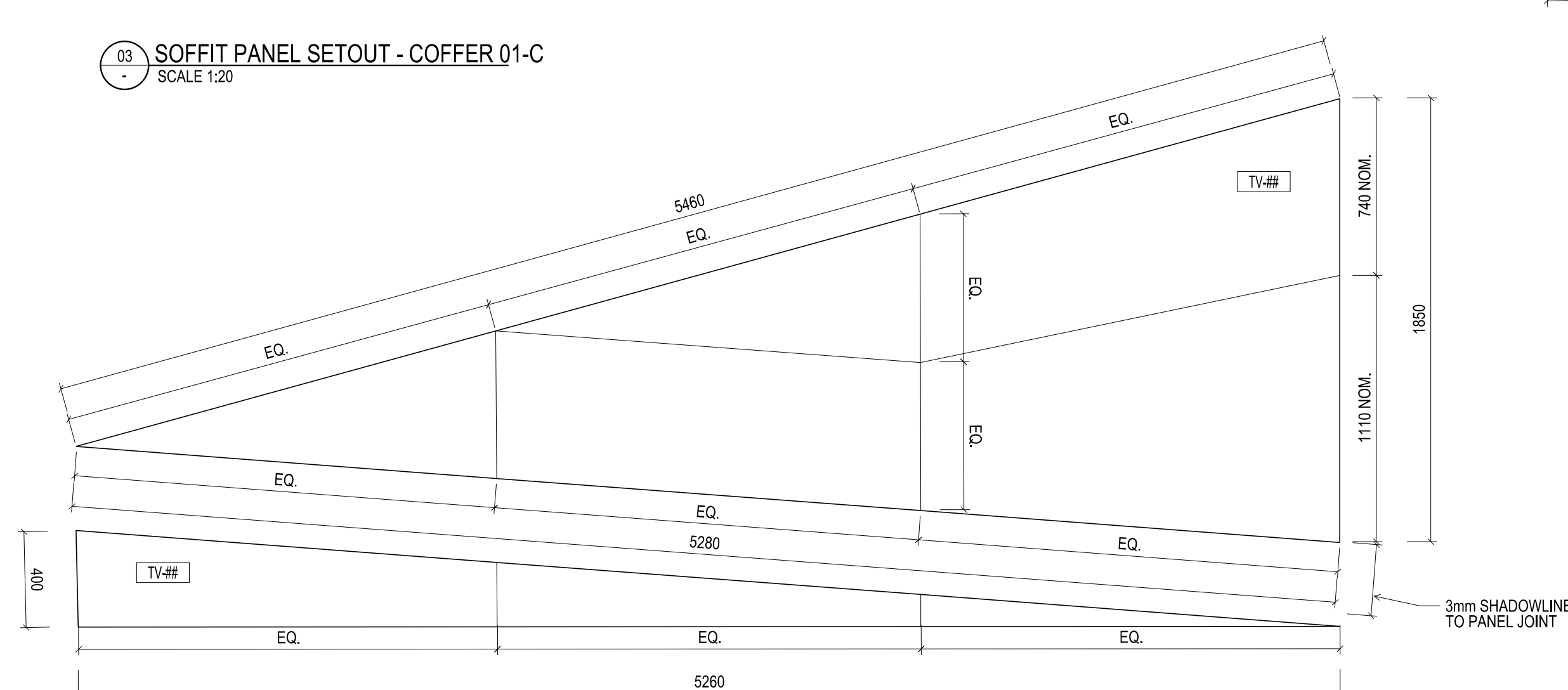
03 SOFFIT PANEL SETOUT - COFFER 01-C
SCALE 1:20



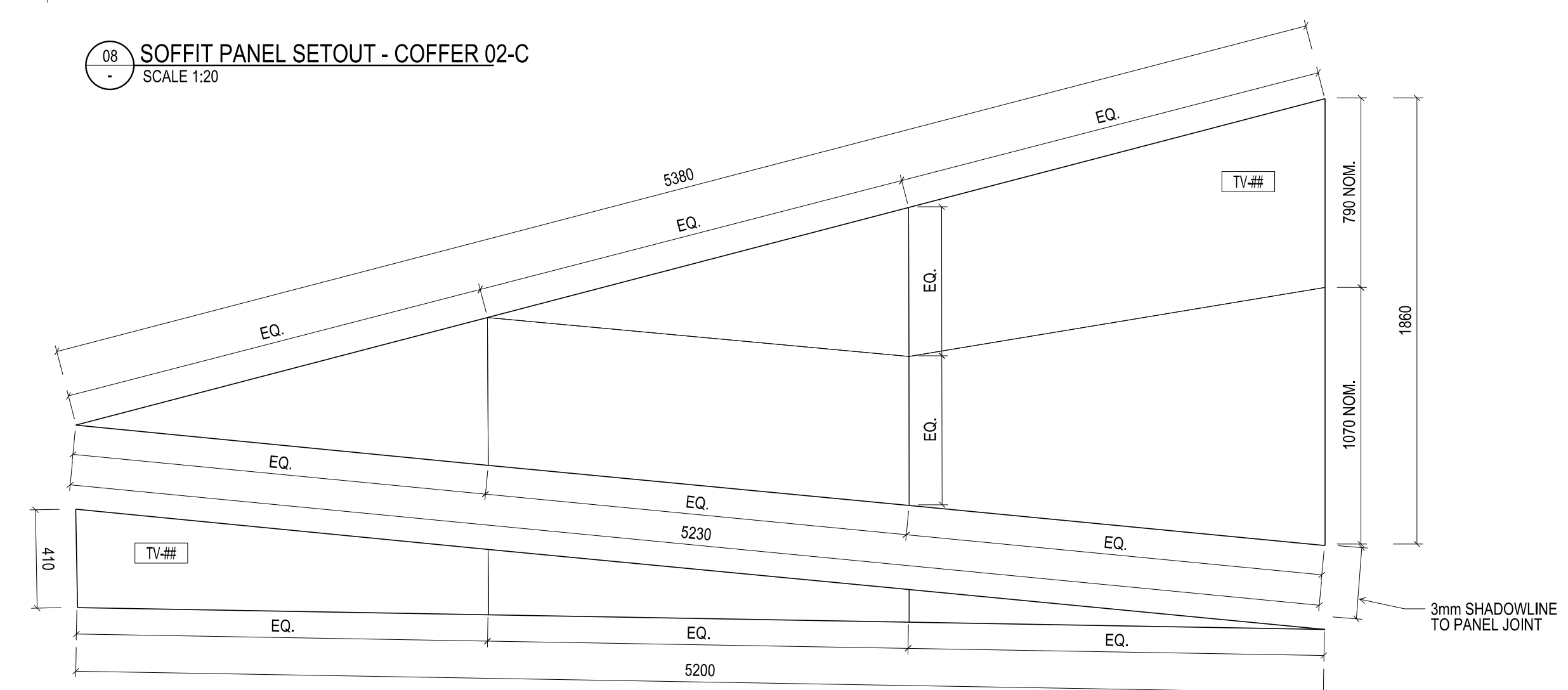
08 SOFFIT PANEL SETOUT - COFFER 02-C
SCALE 1:20



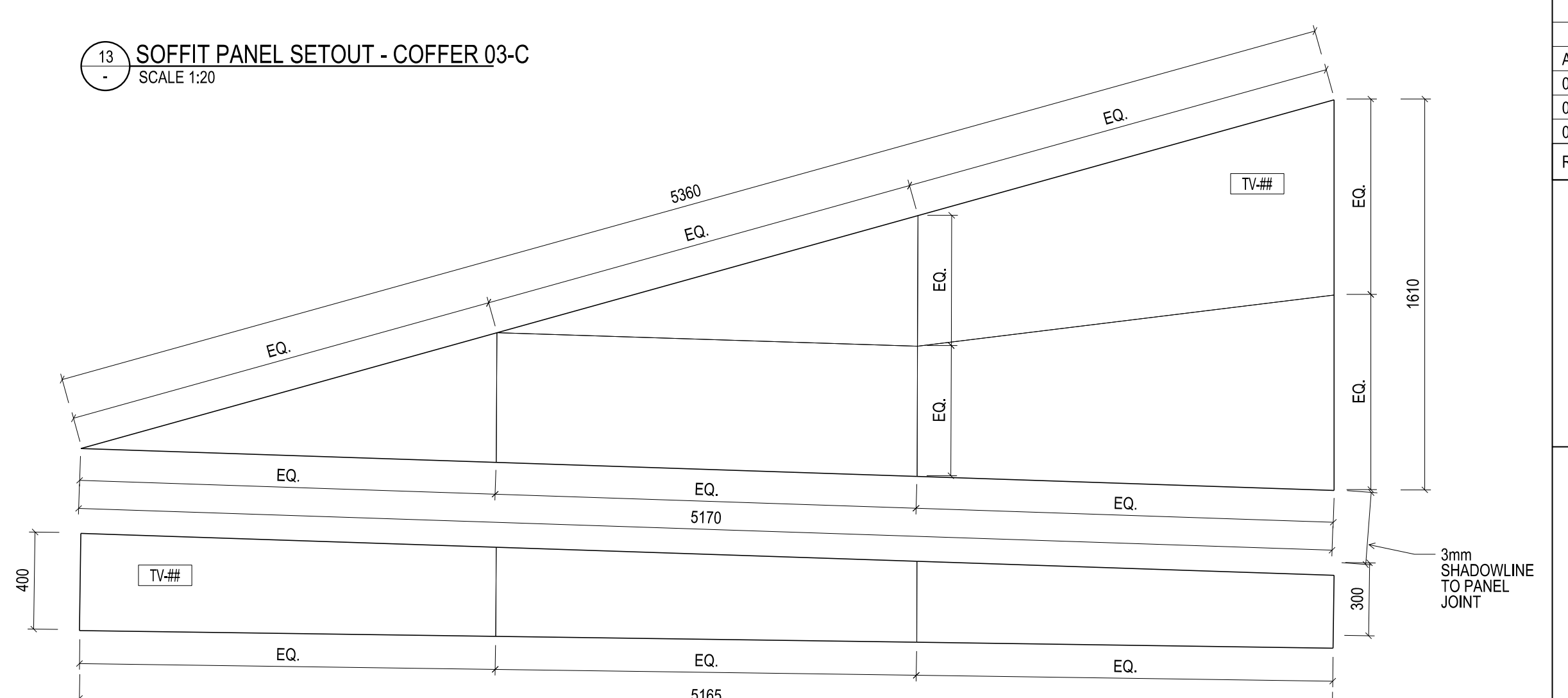
13 SOFFIT PANEL SETOUT - COFFER 03-C
SCALE 1:20



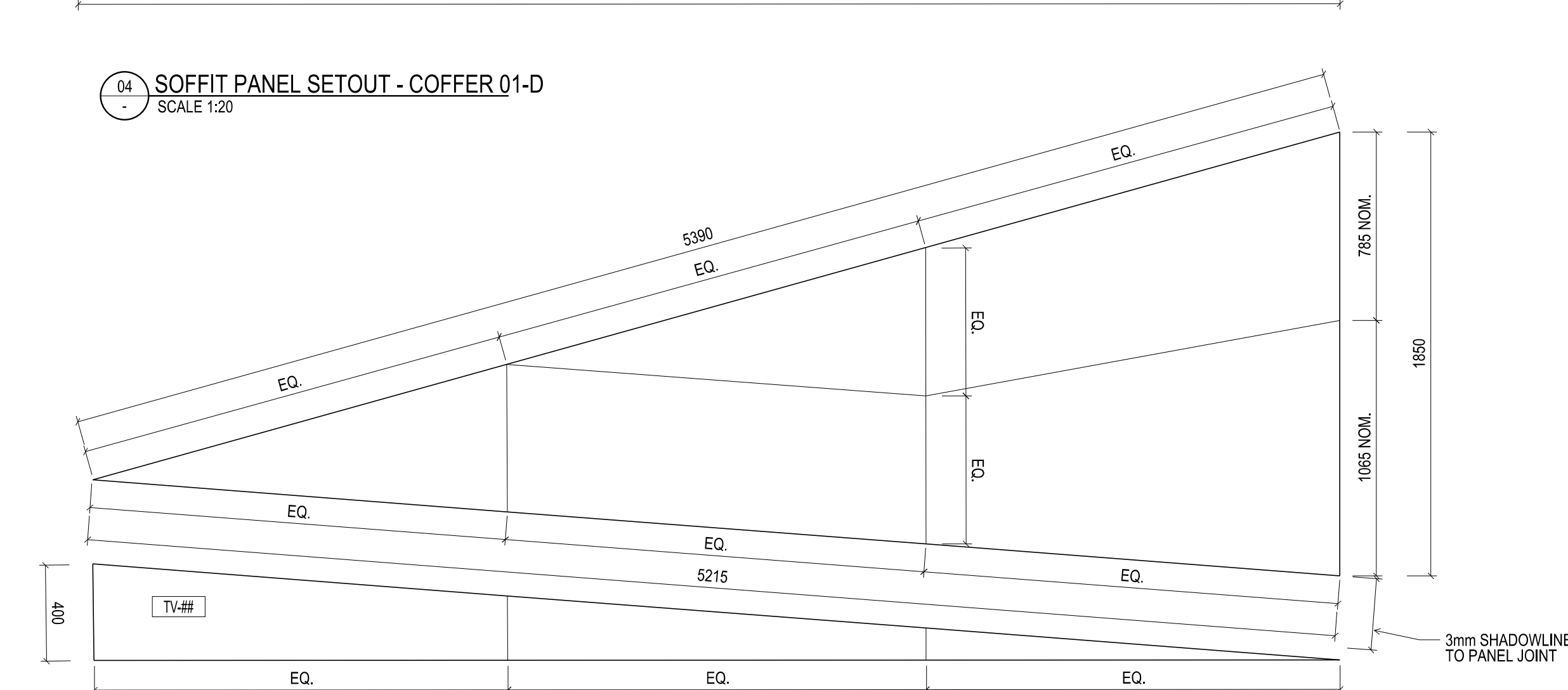
04 SOFFIT PANEL SETOUT - COFFER 01-D
SCALE 1:20



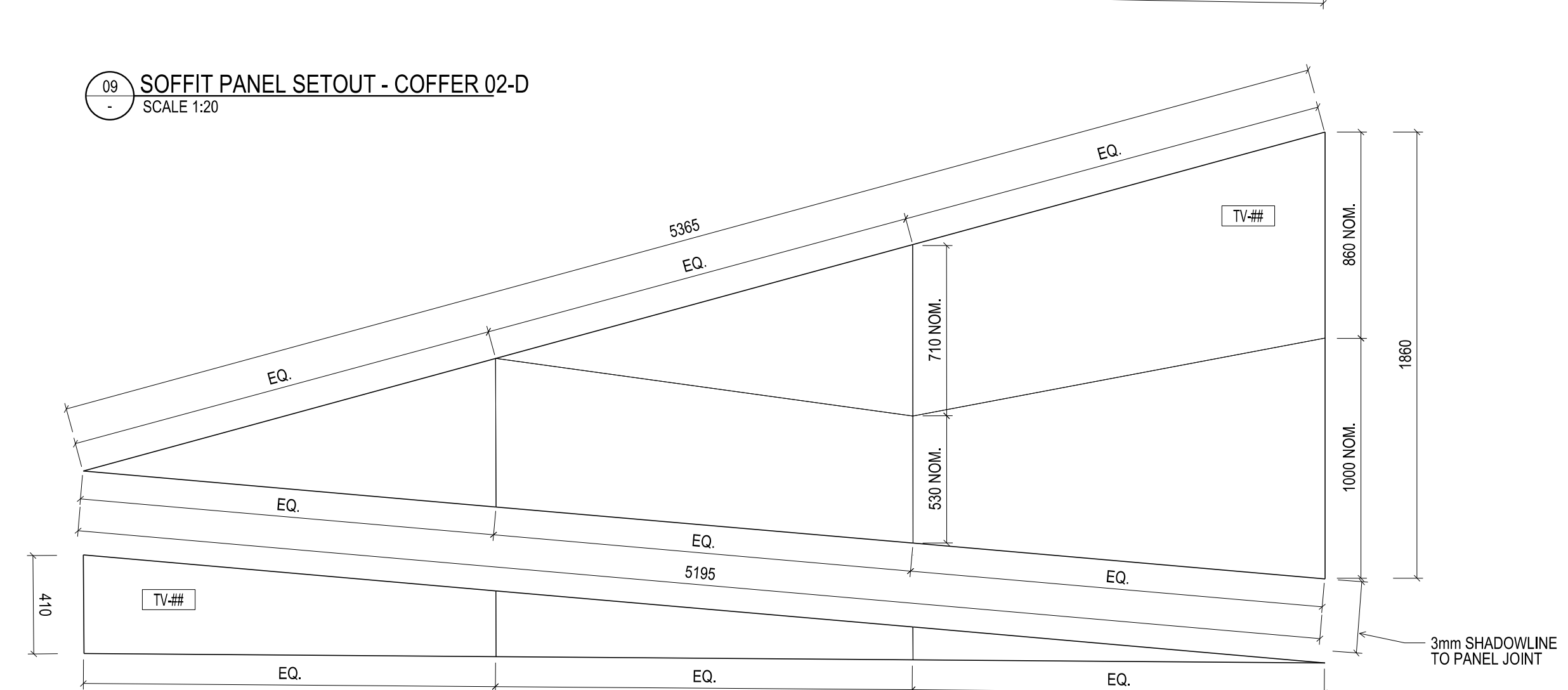
09 SOFFIT PANEL SETOUT - COFFER 02-D
SCALE 1:20



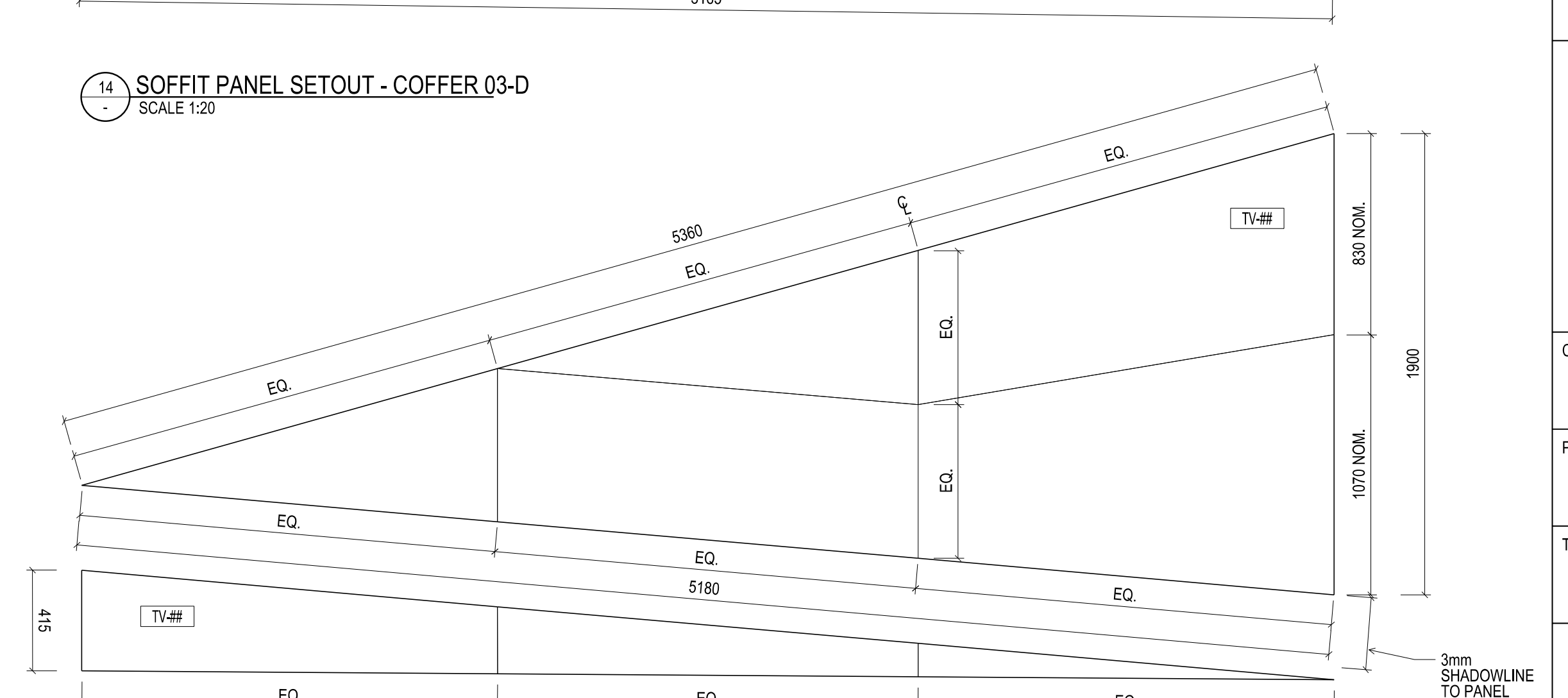
14 SOFFIT PANEL SETOUT - COFFER 03-D
SCALE 1:20



05 SOFFIT PANEL SETOUT - COFFER 01-E
SCALE 1:20



10 SOFFIT PANEL SETOUT - COFFER 02-E
SCALE 1:20



15 SOFFIT PANEL SETOUT - COFFER 03-E
SCALE 1:20

Rev	Issue	Revision Description	Amd	Date
A	SG	ISSUED FOR CONSTRUCTION	-	10.01.14
03	SG	100% CD - TENDER ISSUE	-	07.09.12
02	SG	90% CD ISSUE	-	10.06.12
01	SG	75% CD ISSUE	-	13.07.12



NADAAA
 NADAAA
 1520 Washington Street No.2
 Boston Massachusetts 02118 USA
 Telephone +1 617 442 2332
 Facsimile +1 688 442 1417
 Email nadaaa@nadaaa.com

John Wardle Architects
 25 Rokeby Street, Collingwood, Victoria 3066 Australia
 Tel: +61 3 8662 0400 www.johnwardlearchitects.com
 © 2012 John Wardle Architects ABN 83 006 814 268

Client **University of Melbourne Parkville Campus**

Project **Faculty of Architecture Building and Planning**

Title **ROOF DETAILS COFFER SOFFIT PANEL SETOUT**

Project No.	0913	Scale	1:20 @ A0
Drawing No.	AR6210	Revision	A

Date: July 2012 Dwn - Co-Ord - Chk -

FILENAME - \$FILES

FOR CONSTRUCTION